

Piezo Objective Scanner



2023 V1

For customized projects please Contact us:
info@simtrum.com

Piezo Objective Scanner - ST-LS2-0606Z

Our ST-LS2-0606Z is a piezo objective scanner with stroke up to 6mm. It has a maximum load capacity of 0.5kg and has repeatability of +/-200mm.

Feature

- Piezoelectric motor drive, self-locking when power off, saving energy and reducing heat generation
- Simple and compact design
- Grating feedback, optional resolution
- Can be used in optical assembly, micro-nano processing, laser, automation and other fields

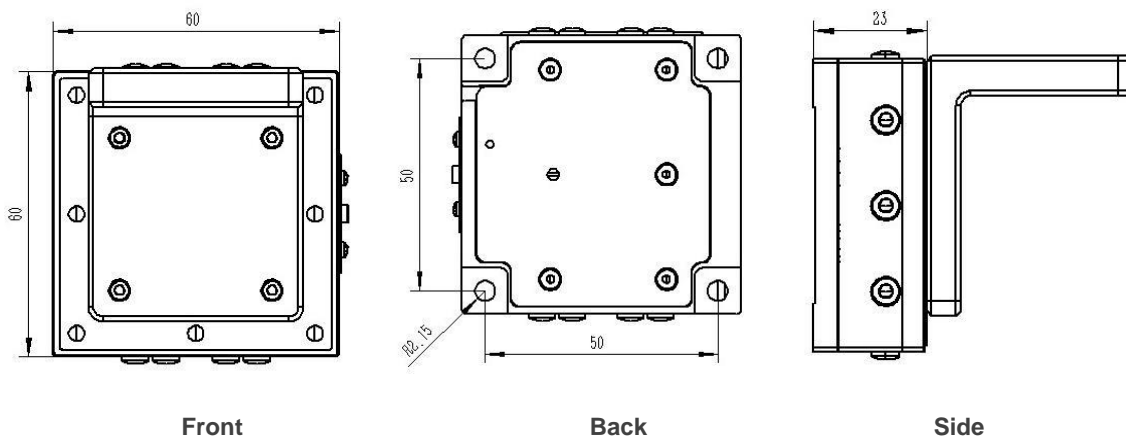


Specification

Model	ST-LS2-0606Z
Stroke(mm)	6
Driver	Piezoelectric Motor
Maximum Fixed Load (KG)	0.5
Maximum Speed(mm/s)	100(Open Loop)
Minimum Step Size(nm)	50(Displaying Grating Feedback)
Repeatability(nm)	+/-200
Position Sensor	Grating
Material	Aluminum Alloy
Weight(KG)	250(Excluding Lenses and Lens Adapters)

Note: This item excludes lenses and lens adapters

Drawings



Piezo Objective Scanner - ST-LS2-0610Z

Our ST-LS2-0610Z is a piezo objective scanner with stroke up to 10mm. It has a maximum load capacity of 1.3kg and has repeatability of +/-200mm.

Feature

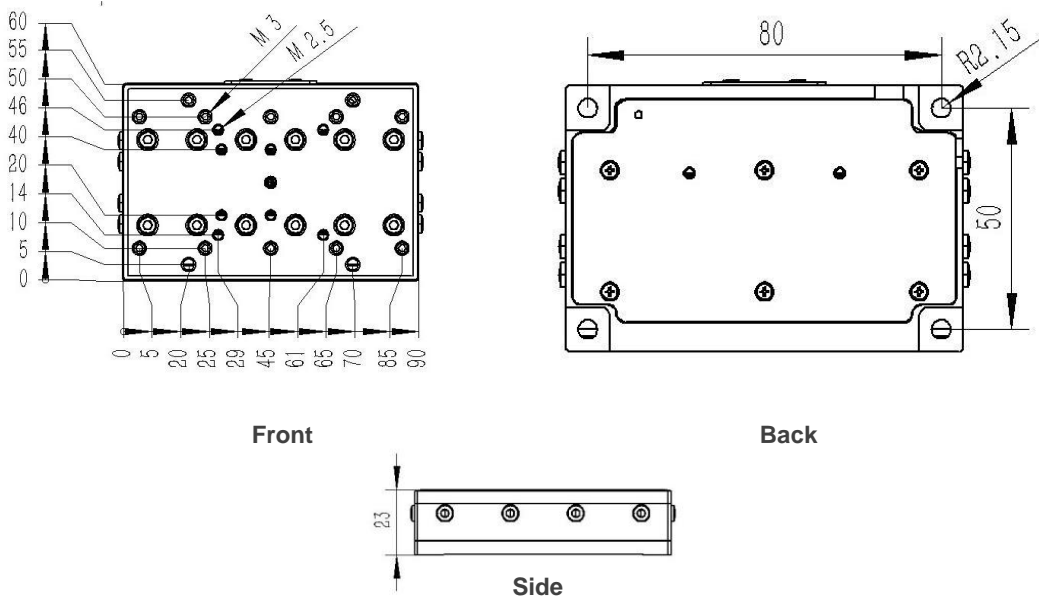
- Piezoelectric motor drive, self-locking when power off, saving energy and reducing heat generation
- Simple and compact design
- Grating feedback, optional resolution
- Can be used in optical assembly, micro-nano processing, laser, automation and other fields



Specification

Model	ST-LS2-0610Z
Stroke(mm)	10
Driver	Piezoelectric Motor(M304)
Maximum Fixed Load (KG)	1.3
Maximum Speed(mm/s)	>100
Minimum Step Size(nm)	50(Grating Feedback)
Repeatability(nm)	+/-200
Position Sensor	Grating
Material	Aluminum Alloy
Weight(KG)	0.35

Drawings



Piezo Objective Scanner - ST-S2-0910Z

Our ST-S2-0910Z is a piezo objective scanner with stroke up to 10mm. It has a maximum load capacity of 1.3kg and has repeatability of +/-200mm.

Feature

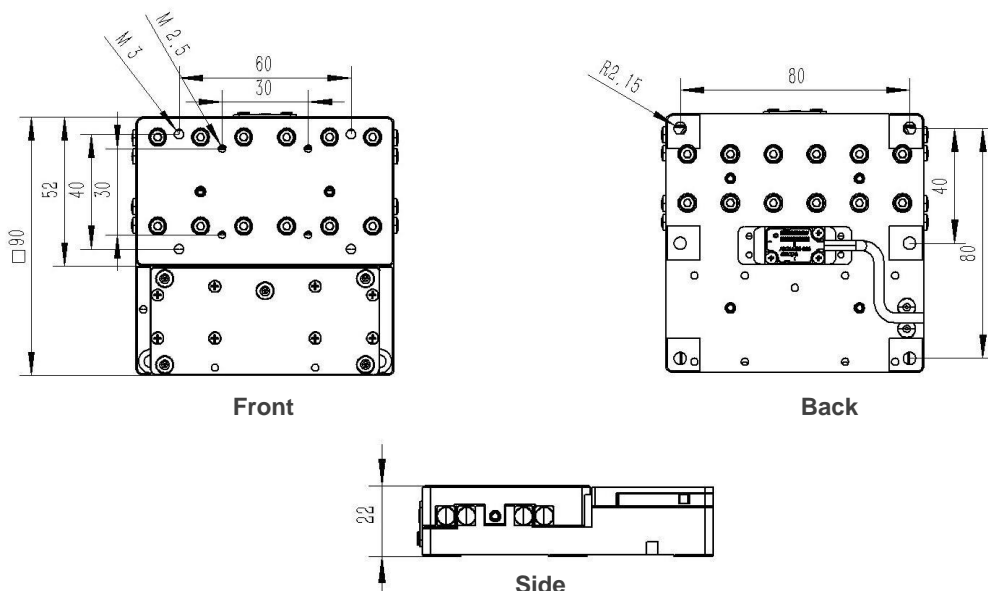
- Piezoelectric motor drive, self-locking when power off, saving energy and reducing heat generation
- Simple and compact design
- Grating feedback, optional resolution
- Can be used in optical assembly, micro-nano processing, laser, automation and other fields



Specification

Model	ST-LS2-0910Z
Stroke(mm)	10
Driver	Piezoelectric Motor(M304)
Maximum Fixed Load (KG)	1.3
Maximum Speed(mm/s)	>100
Minimum Step Size(nm)	50(Grating Feedback)
Repeatability(nm)	+/-200
Position Sensor	Grating
Material	Aluminum Alloy
Weight(KG)	0.52

Drawings



Piezo Objective Scanner - ST-LS3-1020Z

Our ST-LS3-1020Z is a piezo objective scanner with stroke up to 20(3)mm. It has a maximum load capacity of 3.5(5) kg and has repeatability of +/-200mm.

Feature

- Piezoelectric motor drive, self-locking when power off, saving energy and reducing heat generation
- Simple and compact design
- Grating feedback, optional resolution
- Can be used in optical assembly, micro-nano processing, laser, automation and other fields



Specification

Model	ST-LS3-1020Z
Stroke(mm)	20 (3)
Driver	Piezoelectric Motor
Maximum Fixed Load (KG)	3.5 (5)
Maximum Speed(mm/s)	50(Open Loop)
Minimum Step Size(nm)	50(Displaying Feedback)
Repeatability(nm)	+/-200
Position Sensor	Grating
Material	Aluminum Alloy
Weight(KG)	1.3

Drawings

