



2/3" Machine Vision FA Lens 1.5MP/5MP/10MP



2024 V1

For customized projects please Contact us:

info@simtrum.com

1.5 Mega Pixels 2/3" FA/Machine Vision Lens

SIMTRUM's 1.5 Mega Pixels 2/3" FA/Machine Vision Lens is designed to support a 1.5 MP 2/3" camera, with a focus and iris locking screw ensuring stable focusing. It delivers low distortion, sharp images, and has a compact structure, providing excellent optical performance.

Feature

- Support 1.5 MP 2/3" camera
- Focus and iris locking, screw to ensure stable focusing
- Low distortion sharp image
- Compact structure, excellent optical performance

Application

- Machine Vision
- Automatic Production
- Electronic Communication Field



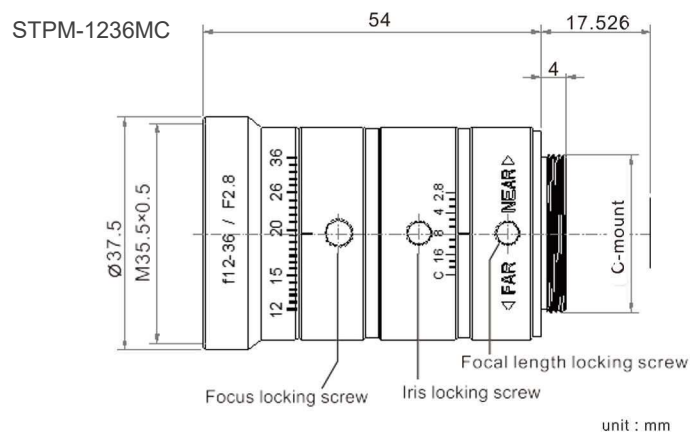
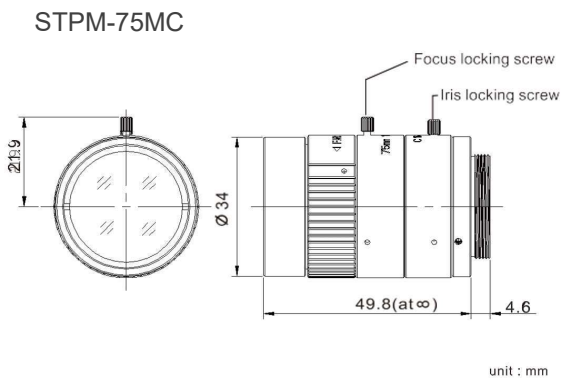
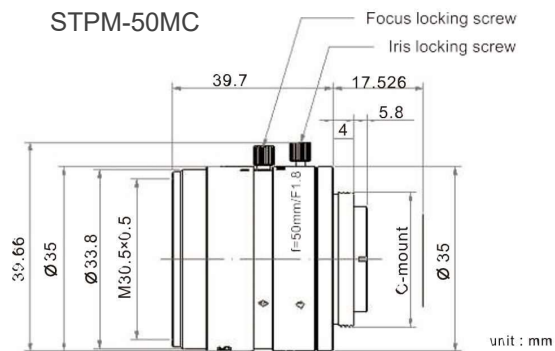
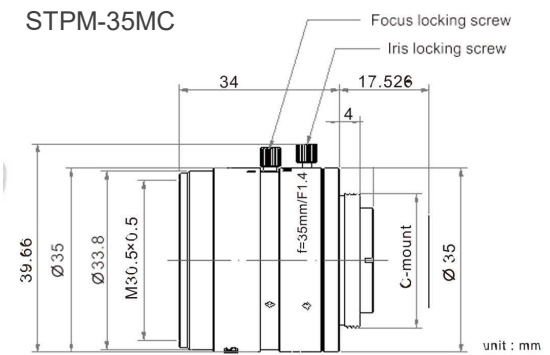
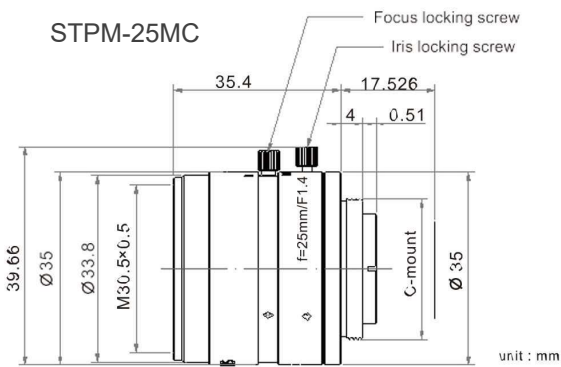
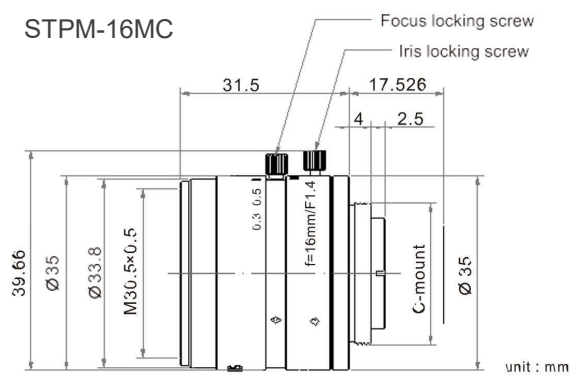
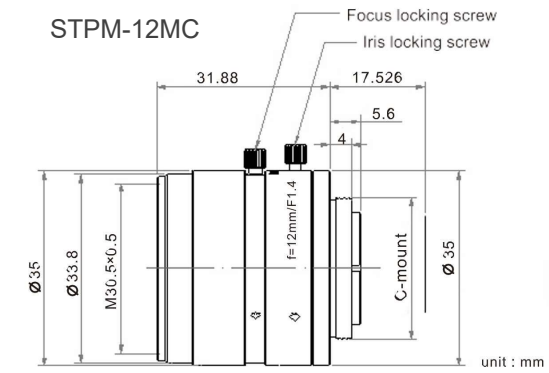
Specification

Parameter		STPM-12MC	STPM-16MC	STPM-25MC	STPM-35MC	STPM-50MC	STPM-75MC	STPM-1236MC
Resolution		1.5 MP;125 lp/ mm (center) 100 lp/ mm (corner)						
Focal Length		12.3mm	16.33mm	25mm	35mm	50mm	75mm	12-36mm
Iris Range		F1.4-C				F1.8-C	F2.8-C	F2.8-C
Max. Sensor Size		2/3"(8.8mmX6.6mm Ø11mm)						
Field of View (H x V)	2/3"	40.0°x30.2°	30.4°x22.9°	19.9°x15.0°	13.8°x10.4°	9.2°x7.6°	6.7°x5.0°	41.4°x31.2°(wide) 13.8°x10.4°(tele)
	1/2"	29.2°x22.0°	22.3°x16.7°	14.5°x11.0°	10.1°x7.5°	7.5°x5.5°	4.9°x3.7°	30.1°x22.8°(wide) 10.1°x7.6°(tele)
	1/3"							
Focus Range		0.15m-∞	0.30m-∞	0.25m-∞	0.30m-∞	0.50m-∞	1.10m-∞	0.15m-∞(wide) 0.5m-∞(tele)
Object Dimensions(at the nearest focusing distance) cm	2/3"	12.0 (H)x8.8 (V)	16.10 (H)x12.80 (V)	8.80 (H)x6.60 (V)	7.40 (H)x5.60 (V)	8.10 (H)x6.04 (V)	11.26 (H)x8.45 (V)	6.6 (H)x4.8 (V)213"(wide) 6.7 (H)x5.0 (V) 2/3"(tele)
Control	Focus	Manual						
	Iris	Manual						
Distortion	2/3"	-1.80%@y=5.5	-1.00%@y=5.5	-0.32%@y=5.5	-0.33%@y=5.5	-0.11%@y=5.5	0.34%@y=5.5	3.5%@y=5.5 (wide) 2.3%@y=5.5 (tele)
	1/2"	-1.25%@y=4.0	-0.64%@y=4.0	-0.13%@y=4.0	-0.17%@y=4.0	-0.04%@y=4.0	0.19%@y=4.0	2.4%@y=3.0 (wide) 1.3%@y=3.0 (tele)
	1/3"							
Optical Back Focal Length(in air) mm		12.7	12.67	13.6	14.7	12.94	14.35	12.6 (wide)15.2 (tele)
Mount		C-Mount						
Filter Thread		M30.5x0.5mm						
Working Temperature		-10°C~+50°C						

Working Distance And Magnification After Using A Close-up Attachment

Model	W.D.	Optical Magnification	Close-up Attachment
STPM-12MC	150mm	0.071X	—
	100mm	0.100X	0.5mm
STPM-16MC	300mm	0.052X	—
	250mm	0.062X	0.5mm
	200mm	0.077X	0.5mm
	150mm	0.100X	1.0mm
	100mm	0.145X	1.0mm
STPM-25MC	250mm	0.100X	—
	200mm	0.130X	0.5mm
	150mm	0.170X	1.0mm
	100mm	0.250X	2.0mm
STPM-35MC	300mm	0.126X	—
	250mm	0.155X	1.0mm
	200mm	0.200X	2.5mm
	150mm	0.285X	4.5mm
	100mm	0.544X	8.9mm
STPM-50MC	500mm	0.109X	—
	450mm	0.122X	1.0mm
	400mm	0.140X	2.0mm
	350mm	0.162X	3.0mm
	300mm	0.193X	5.0mm
	250mm	0.240X	7.0mm
	200mm	0.315X	11.0mm
	150mm	0.460X	18.0mm
	100mm	0.852X	38.0mm
STPM-75MC	1100mm	0.078X	—
	1000mm	0.087X	1.5mm
	900mm	0.099X	2.0mm
	800mm	0.114X	3.0mm
	700mm	0.134X	4.5mm
	600mm	0.164X	7.0mm
	500mm	0.209X	10.0mm
	400mm	0.291X	16.0mm
	300mm	0.475X	30.0mm
STPM-1236MC	1100mm	0.078X	—
	1000mm	0.087X	1.5mm
	900mm	0.099x	2.0mm
	800mm	0.114X	3.0mm
	700mm	0.134X	4.5mm
	600mm	0.164X	7.0mm
	500mm	0.209x	10.0mm
	400mm	0.291X	16.0mm
	300mm	0.475X	30.0mm

Drawings



5 Mega Pixels 2/3" FA/Machine Vision Lens

SIMTRUM's 5 Mega Pixels 2/3" FA/Machine Vision Lens is designed to support a 5 MP 2/3" camera, with a focus and iris locking screw ensuring stable focusing. It delivers low distortion, sharp images, and has a compact structure, providing excellent optical performance.

Feature

- Support 5 MP 2/3" camera
- Focus and iris locking screw to ensure stable focusing
- Low imaging distortion
- Compact structure, excellent optical performance

Application

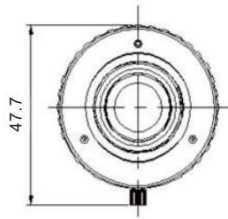
- Machine vision
- Automatic production
- Electronic communication field



Specification

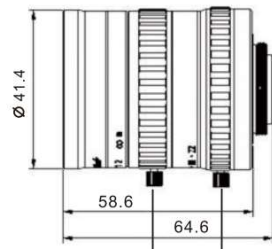
Parameter		STPM-12MC5M	STPM-16MC5M	STPM-25MC5M	STPM-35MC5M	STPM-50MC5M	STPM-75MC5M	STPM-1236MC5M
Resolution		5 MP;160 lp/ mm (center)125 lp/ mm (corner)						
Focal Length		12mm	16mm	25mm	35mm	50mm	75mm	12-36mm
Iris Range		F1.6-F22	F1.6-F22	F1.4-F22	F1.4-F22	F1.8-F22	F2.0-F22	F2.8-F16
Max.Sensor Size		2/3"(8.8mmX6.6mm Ø11mm)						
Field of View (D x H x V)	2/3"	48.6°x39.8°x30.4°	38.0°~x30.8°x23.4°	24.8°x20.0°x15.0°	17.9°x14.3°x10.8°	12.5°x10.1°x7.6°	8.4°x6.7°x5.0°	50.8°x41.2°x31.2°(wide) 17.2°x13.8°x10.4°(tele)
	1/2"	36.4°x29.5°x22.3°	28.1°x22.6°x17.1°	18.1°x14.5°x10.9°	13.0°x10.4°x7.8°	9.1°x7.4°x5.5°	6.1°x4.9°x3.7°	37.7°x30.3°x22.8°(wide) 12.6°x10.1°x7.6°(tele)
Focus Range		0.1m-∞	0.2m-∞	0.2m-∞	0.3m-∞	0.4m-∞	0.9m-∞	0.15m-∞(wide) 0.45m-∞(tele)
Object Dimensions (mm)		102.4 X 82.0 X61.4	145.6 X 116.4 X 87.3	43.5X34.8X26.1	90.1X72.2X54.1	83.8 X67.0X 50.2	1/3.2X98.5X73.9	163.4X130.7X98.0(wide) 152.0X121.6X107.4(tele)
Control	FocuS	Manual						
	Iris	Manual						
Distortion (mm)	2/3"	-0.53%@y=5.5	0.07%@y=5.5	-0.19%@y=5.5	-0.07%@y=5.5	0.03%@y=5.5	0.04%@y=5.5	-3.4%@y=5.5(wide) 1.4%@y=5.5(tele)
	1/2"	-0.35%@y=4.0	-0.06%@y=4.0	-0.17%@y=4.0	0.06%@y=4.0	0.02%@y=4.0	0.02%@y=4.0	-2.2%@y=4.0(wide) 0.9%@y=4.0(tele)
	1/3"							
Optical Back Focal Length(in air) mm		12.42	12.36	12.78	12.82	13.63	13.76	18.93(wide) 18.87(tele)
Mount		C-mount						
Filter Thread		M37.5x0.5mm					M40.5x0.5mm	M40.5x0.5mm
Working Temperature		-10°C~+50°C						
Weight		178.0g	181.0g	148.0g	156.0g	173.0g	223.0g	188.0g

Drawings

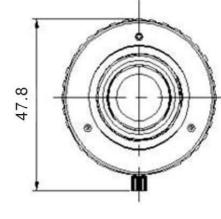


STPM-12MC5M

Unit : mm

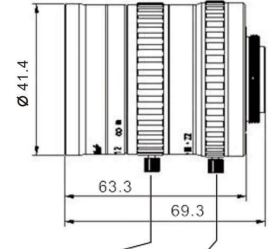


Focal locking screw
Iris locking screw

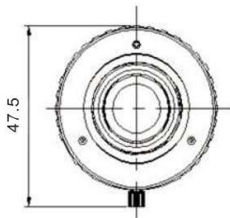


STPM-16MC5M

Unit : mm

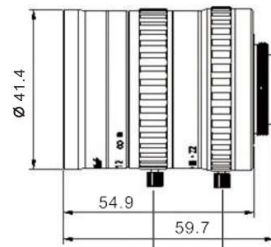


Focal locking screw
Iris locking screw

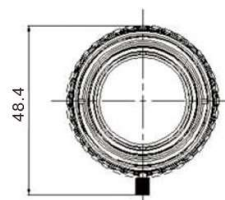


STPM-25MC5M

Unit : mm

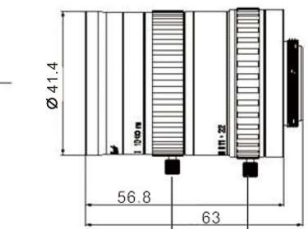


Focal locking screw
Iris locking screw

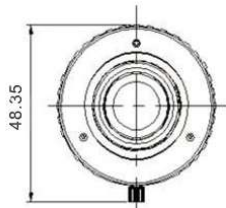


STPM-35MC5M

Unit : mm

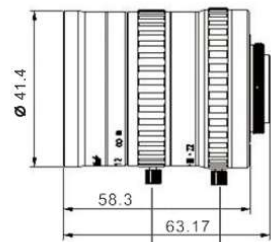


Focal locking screw
Iris locking screw

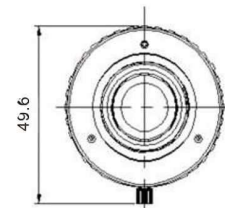


STPM-50MC5M

Unit : mm

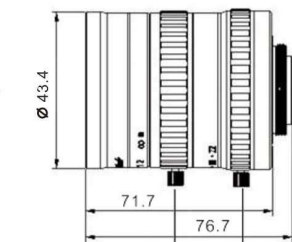


Focal locking screw
Iris locking screw

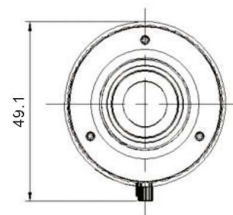


STPM-75MC5M

Unit : mm

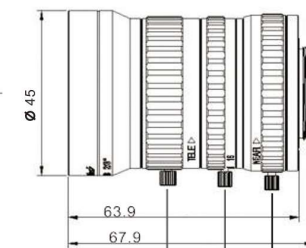


Focal locking screw
Iris locking screw



STPM-1236MC5M

Unit : mm



Focal locking screw
Iris locking screw
Focus locking screw

10 Mega Pixels 2/3” FA/Machine Vision Lens

SIMTRUM’s 10 Mega Pixels 2/3” FA/Machine Vision Lens features high resolution, multi-layer coating for high transmittance and effective suppression of stray light. Its compact structure and small shape make it more suitable for integrated applications, with anti-vibration and anti-impact functions.

Feature

- Support 10 MP 2/3” camera and high resolution
- Multi layer coating, high transmittance, effective suppression of stray light.
- Compact structure, small shape, more suitable for integrated application.
- Anti vibration and anti impact function

Application

- Machine vision
- Automatic production
- Other industries

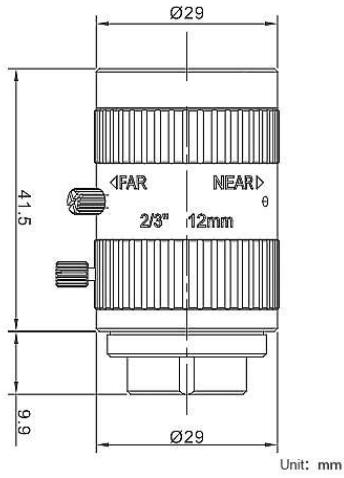


Specification

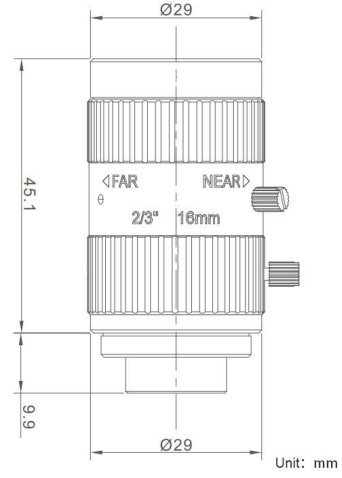
Parameter	STPM-12MC10M	STPM-16MC10M	STPM-25MC10M	STPM-35MC10M	STPM-50MC10M	
Resolution	10MP					
Wavelength (nm)	420~1000nm					
Focal Length (mm)	12mm	16mm	25mm	35mm	50mm	
Iris Range	F2.8-16					
Max.Sensor Size	2/3"(11mm)					
Field of View (D x H x V)	2/3"	49.2°x40.3°x30.8°	37.9°x30.7°x23.3°	24.78°x19.94°x15.0	18.39°x14.8°x11.1°	12.57°x10.08°x7.57°
	1/2"	36.9°x29.9°x22.7°	28.1°x22.6°x17.1°	18.16°x14.57°x11.0°	13.4°x10.8°x8.1°	9.16°x7.34°x5.51°
	1/3"	28.1°x22.7°x17.1°	21.2°x17.0°x12.8°	13.67°x10.9°x8.2°	10.1°x8.1°x6.1°	6.89°x5.51°x4.13°
Focus Range	0.15m~∞	0.15m~∞	0.15m~∞	0.20m~∞	0.30m~∞	
Object Dimensions (at the nearest focusing distance) mm	2/3"	140.5x112.4x84.3	107.9x86.3x64.7	58.9x47.1x35.3	54.1x43.3x32.5	54.1x43.3x32.5
	1/2"	101.7x81.4x61.0	78.1x62.5x46.9	42.8x34.3x25.7	39.3x31.5x23.6	43.4x34.7x26.0
	1/3"	76.1x60.9x45.7	65.8x52.6x39.5	32.1x25.68x19.3	29.5x23.6x17.7	32.5x26.0x19.5
Control	FocuS	Manual				
	Iris	Manual				
Distortion (mm)	2/3"	0.037%@y=5.5	0.29%@y=5.5	-0.016%@y=5.5	-0.172%@y=5.5	0.094%@y=5.5
	1/2"	-0.17%@y=4.0	0.15%@y=4.0	-0.019%@y=4.0	-0.077%@y=4.0	0.055%@y=4.0
	1/3"	-0.15%@y=3.0	0.08%@y=3.0	-0.013%@y=3.0	-0.045%@y=3.0	0.025%@y=3.0
Optical Back Focal Length(in air) mm	8.43	8.63	10.31	13.63	14.24	
Mount	C-Mount					
Filter Thread	M27xP0.5					
Working Temperature	-20°C~+60°C					

Drawings

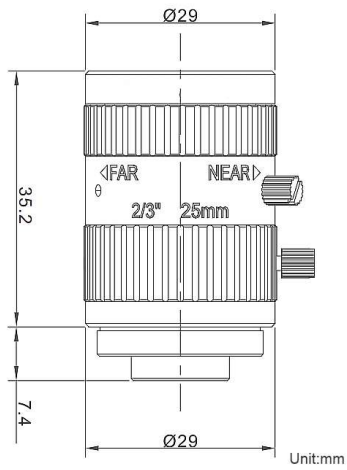
STPM-12MC10M



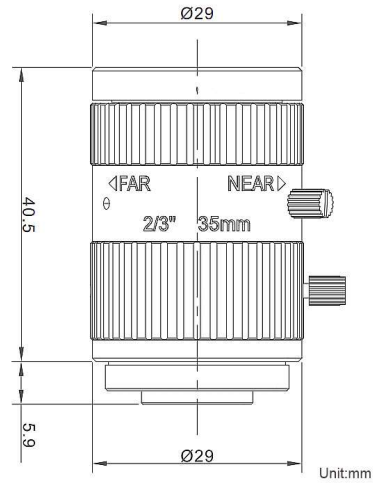
STPM-16MC10M



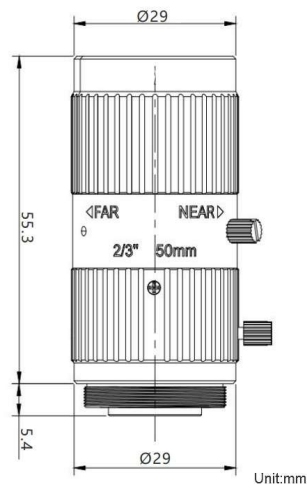
STPM-25MC10M



STPM-35MC10M



STPM-50MC10M



Specification

Model	Extension Ring (mm)	Working Distance	Magnification	FOV			
				2/3"		1/2"	
				H (8.45mm)	V (7.07mm)	H (6.22mm)	V (4.67mm)
STPM-12MC10M	0	1000mm	-0.01198X	708.14	588.59	515.01	428.06
		950mm	-0.01261X	672.94	559.33	489.41	406.78
		900mm	-0.01331X	637.65	529.99	463.74	385.45
		850mm	-0.01409X	602.33	500.63	438.06	364.1
		800mm	-0.01497X	566.98	471.25	412.35	342.73
		750mm	-0.01596X	517.93	441.96	376.67	321.43
		700mm	-0.01709X	496.55	412.72	361.13	300.16
		650mm	-0.01840X	461.2	383.34	335.42	278.79
		600mm	-0.01993X	425.81	353.92	309.68	257.4
		550mm	-0.02172X	390.63	324.68	284.09	236.13
		500mm	-0.02389X	355.22	295.25	258.34	214.73
		450mm	-0.02651X	320.03	266	232.75	193.46
		400mm	-0.02980X	284.64	236.58	207.01	172.06
		350mm	-0.03405X	249.22	207.14	181.25	150.65
		300mm	-0.03964X	214.05	177.91	155.68	129.39
		250mm	-0.04749X	178.67	148.5	129.94	108
		200mm	-0.05914X	143.47	119.25	104.34	86.73
		150mm	-0.07844X	108.18	89.91	78.68	65.39
		0.5	100mm	-0.11104X	76.42	63.51	55.58
STPM-16MC10M	0	1000mm	-0.01591X	532.24	442.39	387.09	321.74
		950mm	-0.01675X	505.68	420.3	367.77	305.68
		900mm	-0.01768X	479.18	398.28	348.5	289.66
		850mm	-0.01870X	453.04	376.56	329.48	273.86
		800mm	-0.01986X	426.58	354.56	310.24	257.86
		750mm	-0.02116X	400.27	332.69	291.1	241.96
		700mm	-0.02266X	373.82	310.71	271.87	225.97
		650mm	-0.02439X	347.33	288.69	252.61	209.96
		600mm	-0.02639X	320.91	266.73	233.39	193.99
		550mm	-0.02877X	294.38	244.68	214.1	177.95
		500mm	-0.03160X	268.08	222.82	194.96	162.05
		450mm	-0.03504X	241.71	200.9	175.79	146.11
		400mm	-0.03935X	215.24	178.9	156.53	130.11
		350mm	-0.04486X	188.83	156.95	137.33	114.14
		300mm	-0.05216X	162.39	134.97	118.1	98.16
		250mm	-0.06227X	136.03	113.06	98.93	82.23
		200mm	-0.07734X	109.52	91.03	79.65	66.21
		150mm	-0.10195X	83.08	9.05	60.42	50.22
		0.5	100mm	-0.14288X	59.28	49.27	43.11

Specification

Model	Extension Ring (mm)	Working Distance	Magnification	FOV					
				2/3"		1/2"			
				H (8.45mm)	V (7.07mm)	H (6.22mm)	V (4.67mm)		
STPM-25MC10M	0	1000mm	-0.02543X	333.01	276.79	242.19	201.3		
		950mm	-0.02678X	316.24	262.85	229.99	191.16		
		900mm	-0.02831X	299.19	248.67	217.59	180.85		
		850mm	-0.03001X	282.26	234.6	205.28	170.62		
		800mm	-0.03192X	265.35	220.55	192.98	160.4		
		750mm	-0.03410X	248.42	206.48	180.67	150.17		
		700mm	-0.03659X	231.49	192.41	168.36	139.93		
		650mm	-0.03947X	214.59	178.36	156.06	129.71		
		600mm	-0.04285X	197.68	164.31	143.77	119.5		
		550mm	-0.04685X	180.77	150.25	131.47	109.27		
		500mm	-0.05169X	163.85	136.18	119.16	99.04		
		450mm	-0.05764X	146.94	122.13	106.87	88.82		
		400mm	-0.06515X	130.01	108.06	94.55	78.59		
		350mm	-0.07490X	113.08	93.99	82.24	68.35		
		300mm	-0.08808X	96.17	79.93	69.94	58.13		
		250mm	-0.10688X	79.25	65.87	57.64	47.9		
		200mm	-0.13592X	62.31	51.79	45.32	37.67		
		150mm	-0.18666X	45.38	37.72	33	27.43		
			3	100mm	-0.29000X	29.26	24.32	21.28	17.69
	STPM-35MC10M	0	1000mm	-0.03513X	241.13	200.42	175.36	145.76	
950mm			-0.03704X	228.65	190.05	166.29	138.22		
900mm			-0.03918X	216.19	179.69	157.23	130.68		
850mm			-0.04158X	203.73	169.33	148.16	123.15		
800mm			-0.04429X	191.26	158.97	139.1	115.61		
750mm			-0.04737X	178.8	148.61	130.04	108.08		
700mm			-0.05092X	166.33	138.25	120.97	100.54		
650mm			-0.05505X	153.86	127.88	111.9	93.01		
600mm			-0.05991X	141.39	117.52	102.83	85.47		
550mm			-0.06569X	128.93	107.16	93.77	77.94		
500mm			-0.07273X	116.45	96.79	84.69	70.39		
450mm			-0.08145X	103.99	86.44	75.63	62.86		
400mm			-0.09255X	91.53	76.07	66.57	55.32		
350mm			-0.10714X	79.06	65.69	57.5	47.78		
300mm			-0.12720X	66.59	55.34	48.43	40.25		
250mm			-0.15650X	54.12	44.98	39.36	32.72		
200mm			-0.20333X	41.66	34.62	30.29	25.18		
			3	150mm	-0.28202X	30.03	24.96	21.84	18.15
STPM-50MC10M			0	1000mm	-0.0515	164.78	136.96	119.84	99.61
		950mm		-0.05429	156.29	129.9	113.66	94.47	
	900mm	-0.0574		147.82	122.86	107.5	89.35		
	850mm	-0.06091		139.32	115.8	101.32	84.21		
	800mm	-0.06485		130.84	108.75	95.16	79.09		
	750mm	-0.06935		122.36	101.7	88.99	73.96		
	700mm	-0.07452		113.87	94.65	82.82	68.84		
	650mm	-0.08051		105.39	87.6	76.65	63.71		
	600mm	-0.08756		96.9	80.54	70.48	58.58		
	550mm	-0.09606		88.42	73.49	64.3	53.45		
	500mm	-0.10635		79.93	64.44	58.13	46.86		
	450mm	-0.11898		71.45	59.38	51.96	43.19		
	400mm	-0.13503		62.96	52.33	45.79	38.06		
	350mm	-0.15608		54.46	45.27	39.61	32.92		
	300mm	-0.18542		45.97	38.21	33.43	27.79		
		2		250mm	-0.22768	37.47	31.14	27.25	22.65
		5		200mm	-0.29512	28.96	24.07	21.06	17.51