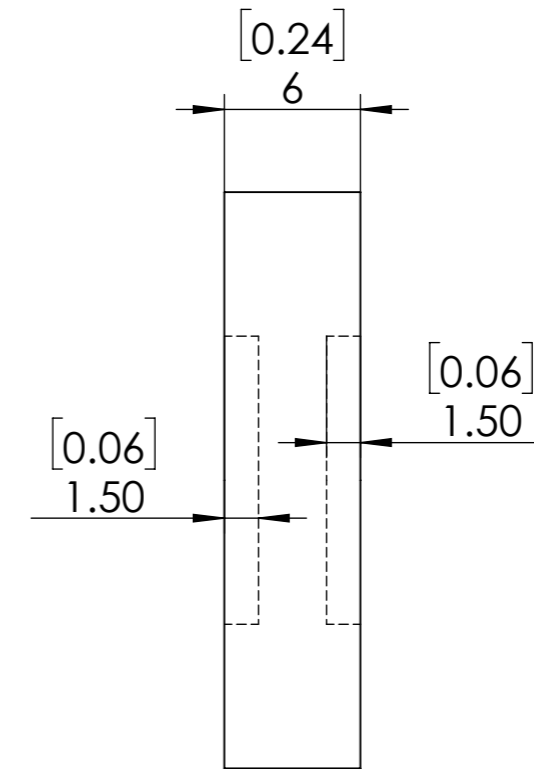
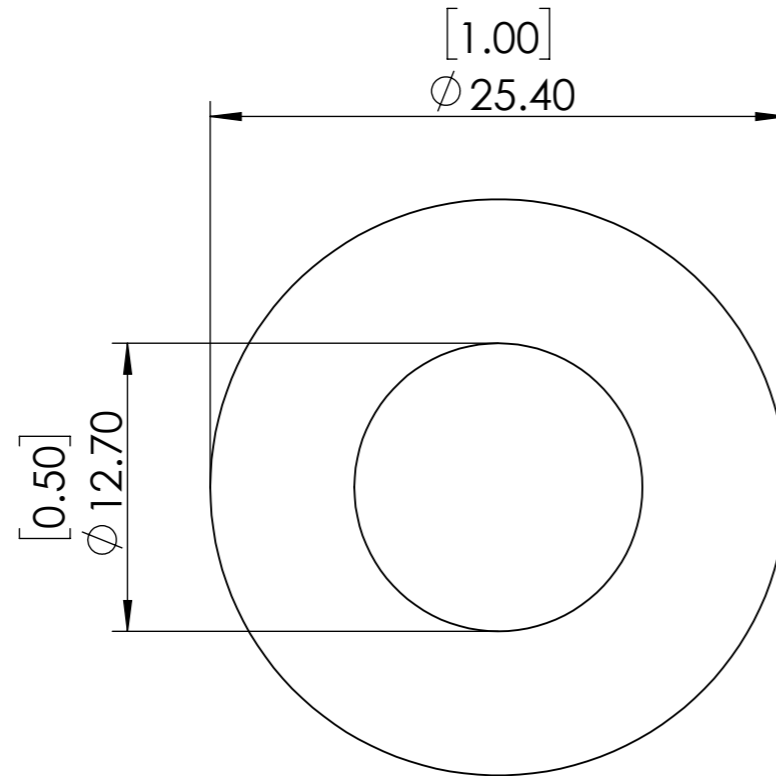


**FOR INFORMATION ONLY  
NOT FOR MANUFACTURING PURPOSES**



1. UNMOUNTED DIAMETER: 12.7
2. DESIGN WAVELENGTH: 4000 nm
3. RETARDATION:  $\lambda/2$
4. RETARDATION TOLERANCE:  $<\lambda/100$
5. WAVEFRONT DISTORTION:  $<\lambda/4@633\text{nm}$
6. SURFACE QUALITY: 40/20
7. CLEAR APERTURE:  $>11.5\text{mm}$
8. PARALLELISM:  $<5$  arcsec
9. COATING:  $R<0.5\%$  @4000nm

|                                   |  |
|-----------------------------------|--|
| <b>SIMTRUM</b><br>www.simtrum.com |  |
| Title:                            | Single Plate Middle Infrared Zero Order Half Waveplate |
| Material:                         | MgF2   |
| Part No:                          | MgF2-MIRHWP-12.7-4000-M                                |