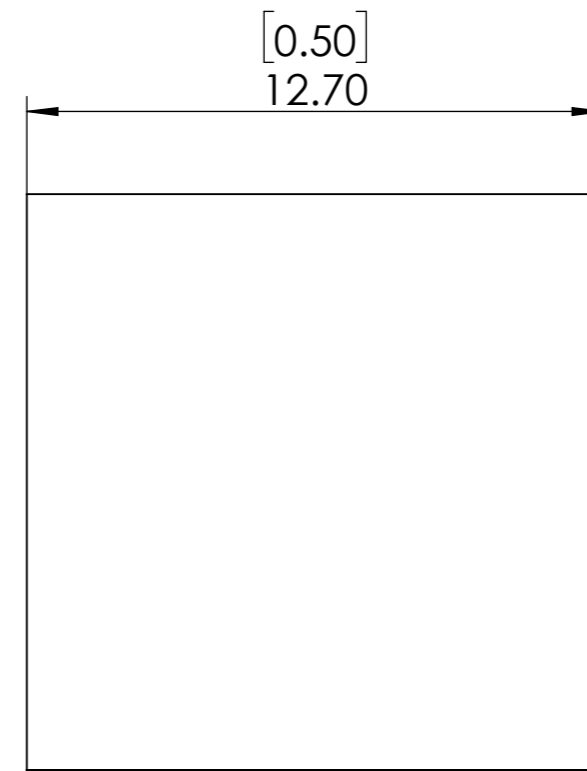
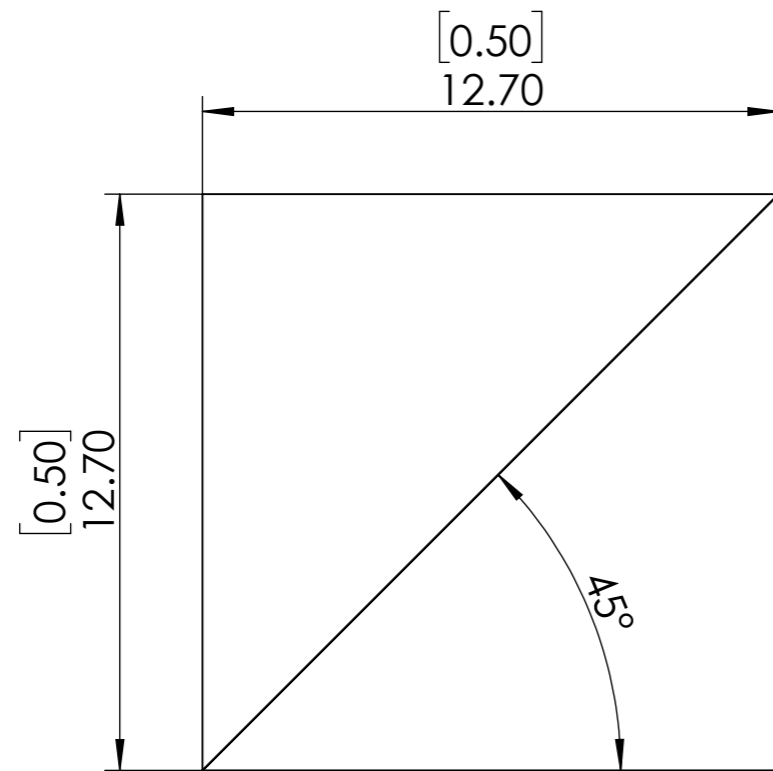
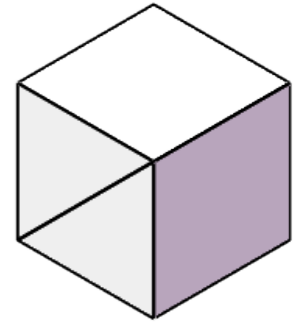


**FOR INFORMATION ONLY
NOT FOR MANUFACTURING
PURPOSES**



1. CLEAR APERTURE: >90%
2. SURFACE FLATNESS: < $\lambda/4$ @633nm
3. SURFACE QUALITY: 40-20
4. AOI: 0 deg
5. SPLIT RATIO: 50:50%
6. POLARIZATION: $T=(T_s+T_p)/2$ $R=(R_s+R_p)/2$
7. TRANSMITTED BEAM DEVIATION: <3 arcmin
8. REFLECTED BEAM DEVIATION: <3 arcmin
9. DIMENSION TOLERANCE: ± 0.2 mm
10. T/R TOLERANCE: $\pm 5\%$, $T=(T_s+T_p)/2$, $R=(R_s+R_p)/2$
11. COATING: $R_{avg} < 0.5\%$ @ 650-900nm

SIMTRUM www.simtrum.com	
Title:	Polarization dependent beamsplitter cubes
Material:	BK7
Part No:	BK7-BSC-12.7-650-900