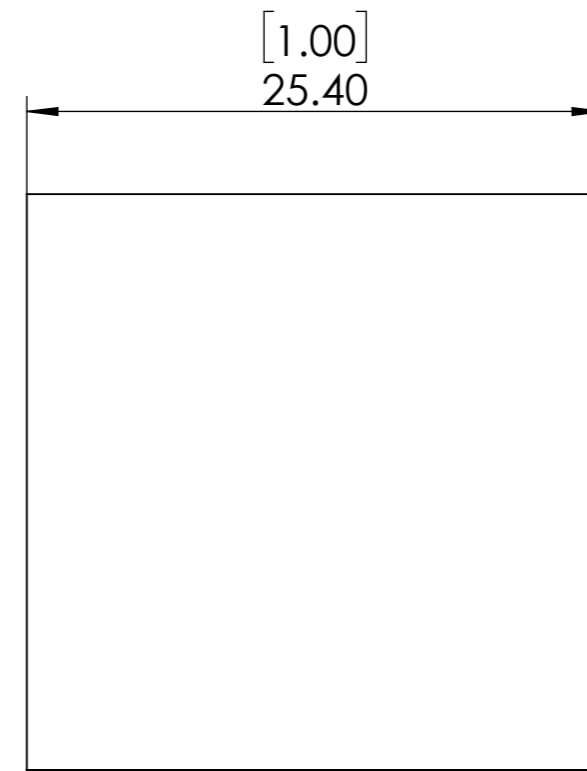
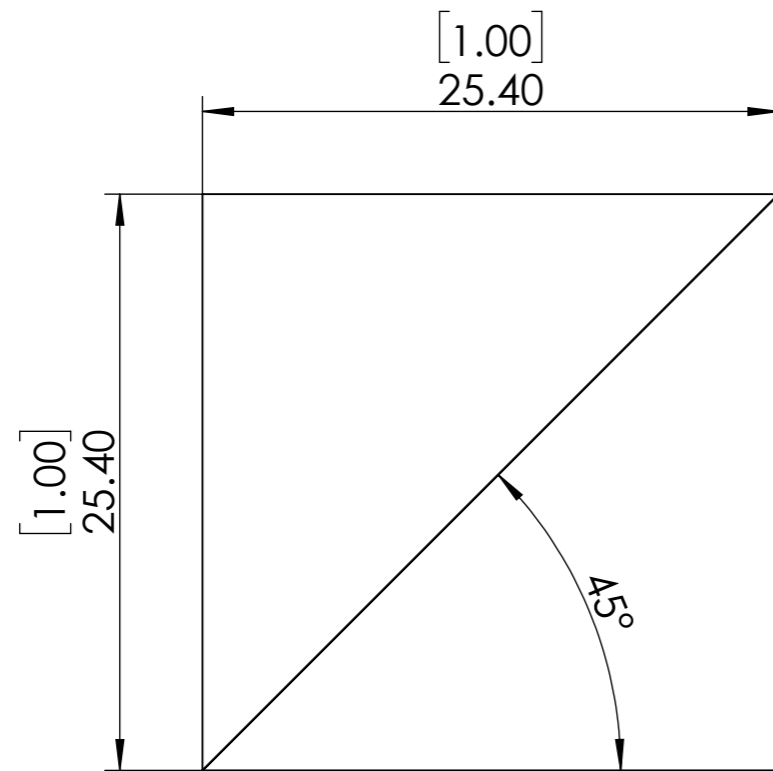
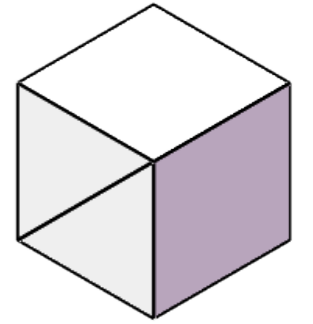


**FOR INFORMATION ONLY NOT FOR
MANUFACTURING PURPOSES**



- 1.CLEAR APERTURE: >90%
- 2.SURFACE FLATNESS: < $\lambda/4$ @633nm
- 3.SURFACE QUALITY: 40-20
- 4.AOI: 0 degree
- 5.SPLIT RATIO: 45:45±5%
- 6.POLARIZATION: $|R_s - R_p| < 6\%$, $|T_s - T_p| < 6\%$
- 7.TRANSMITTED BEAM DEVIATION: <3 arcmin
- 8.REFLECTED BEAM DEVIATION: <3 arcmin
- 9.DIMENSION TOLERANCE:± 0.2 mm
- 10.COATING: $R_{avg} < 0.5\%$ @ 650-900nm

SIMTRUM www.simtrum.com	
Title:	Broadband Non-Polarizing Beamsplitter Cubes
Material:	BK7
Part No:	BK7-NPBSC-25.4-650-900