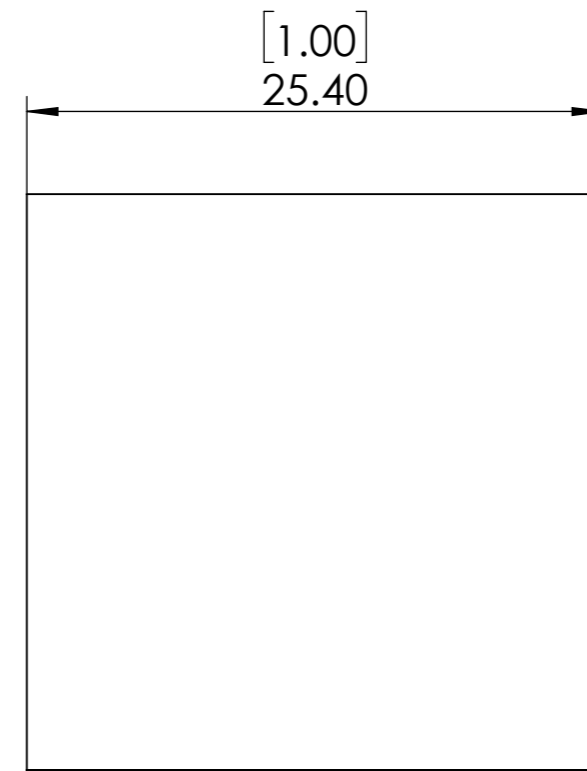
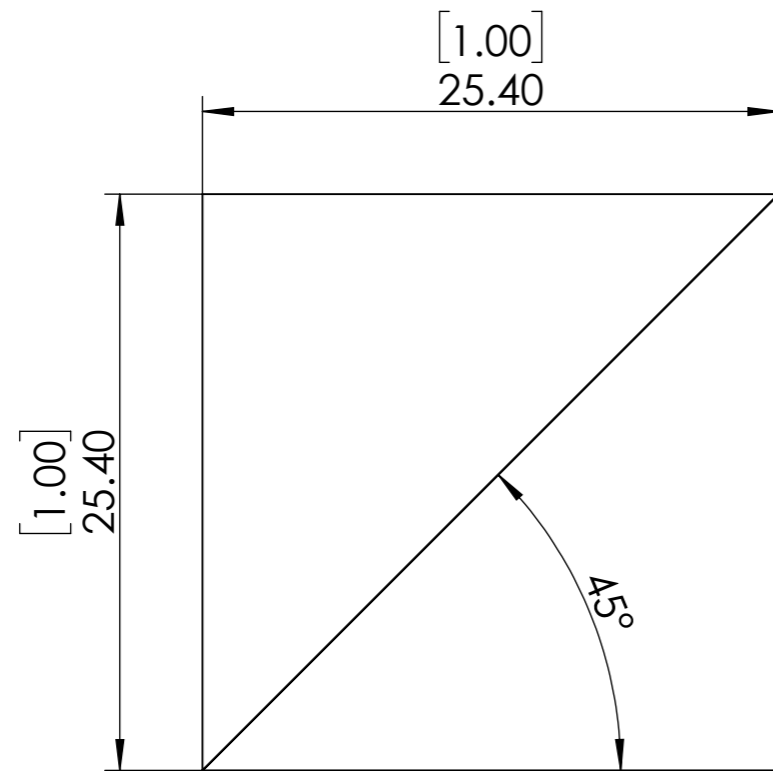
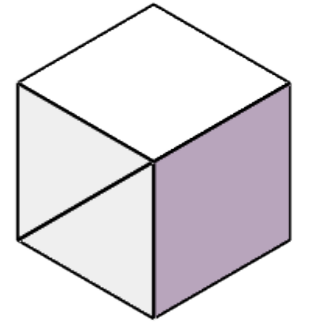


**FOR INFORMATION ONLY NOT FOR
MANUFACTURING PURPOSES**



- 1.CLEAR APERTURE: >90%
- 2.SURFACE FLATNESS: $<\lambda/4@633\text{nm}$
- 3.SURFACE QUALITY: 40-20
- 4.AOI: 0 degree
- 5.SPLIT RATIO: 45:45±5%
- 6.POLARIZATION: $|R_s-R_p| < 6\%$, $|T_s-T_p| < 6\%$
- 7.TRANSMITTED BEAM DEVIATION: $< 3 \text{ arcmin}$
- 8.REFLECTED BEAM DEVIATION: $< 3 \text{ arcmin}$
- 9.DIMENSION TOLERANCE: $\pm 0.2 \text{ mm}$
- 10.COATING: $R_{\text{avg}} < 0.5\% @ 1200-1600\text{nm}$

SIMTRUM www.simtrum.com	
Title:	Broadband Non-Polarizing Beamsplitter Cubes
Material:	BK7
Part No:	BK7-NPBSC-25.4-1200-1600